

REZISTA WAREHOUSE SERIES

HI FLOOD II



مبارز

REZISTA WAREHOUSE SERIES HI FLOOD II

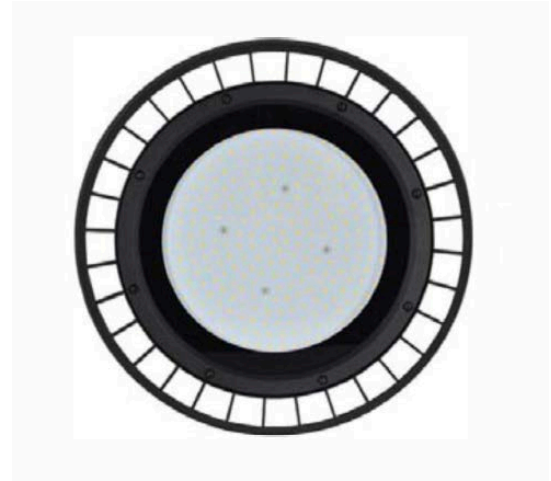


The HI FLOOD II is a Hi-Bay suspended ceiling light designed for high ceilings such as warehouses. It utilizes the latest HV LEDs from Lumileds and does not require a LED driver. The light output reaches over 140 lumen per watt with almost no flicker. It's sturdy housing with black coating guarantees you many years of maintenance free operation.



- Vivid and bright colors
- Wide beam
- Lumileds 3030 Lighting Source
- Energy efficient: 140-150 lumens per Watt
- IP 54
- Maintenance free
- Very long 50.000 hours lifetime
- Driverless design with no flicker
- Sturdy Die-cast housing with black coating
- Suspended ceiling operation.
- High Power Factor
- Color Temperature 2700K/3000K/4000K/5000K/6000K
- 5 years warranty

REZISTA WAREHOUSE SERIES HI FLOOD II



PRODUCT INFORMATION

	100 Watt	150 Watt
Part Number	JBF7006100W2K JBF7006100W3K JBF7006100W4K JBF7006100W5K JBF7006100W6K	JBF7006150W2K JBF7006150W3K JBF7006150W4K JBF7006150W5K JBF7006150W6K

GENERAL CHARACTERISTICS

Case Material	Die-casting Aluminium Alloy + Glass Cover
Dimension	Ø360 x H170mm
Intensity Degradation 90% @ 25°C	20,000 hrs
Intensity Degradation 75% @ 25°C	50,000 hrs
Operation Temperature	-20°C / +45°C
Installation	suspended
Colours	Black (B)

PHOTOMETRIC CHARACTERISTICS

Total Flux	15000LM	21000LM
Nominal Optical Efficiency	150 lm/W	140 lm/W
Color Temperature for all 3 models	2700K/3000K/4000K/5000K/6000K	
Color Rendering Index (CRI)	80	
Viewing Angle	120°	

ELECTRICAL CHARACTERISTICS

Input Voltage	90-277VAC / 50-60Hz	
Power Consumption	100W (replacement for 250W)	150W (replacement for 300W)
Power Factor	0,95	0,95
Lighting Source	Lumileds 3030	

SHIPMENT DIMENSIONS

Carton Dimensions (LxWxH in cm)	43 x 38 x 43,5 cm
Packing Quantity	2 pcs
Weight per carton in Kg	9.6 Kg

REZISTA WAREHOUSE SERIES HI FLOOD II

PRODUCT

	200 Watt	250 Watt
Part Number	JBF7006200W2K	JBF7006250W2K
	JBF7006200W3K	JBF7006250W3K
	JBF7006200W4K	JBF7006250W4K
	JBF7006200W5K	JBF7006250W5K
	JBF7006200W6K	JBF7006250W6K

GENERAL CHARACTERISTICS

Case Material	Die-casting Aluminium Alloy + Glass Cover
Dimension	Ø460 x H185mm
Intensity Degradation 90% @ 25°C	20,000 hrs
Intensity Degradation 75% @ 25°C	50,000 hrs
Operation Temperature	-20°C / +45°C
Installation	suspended
Colours	Black (B)

PHOTOMETRIC CHARACTERISTICS

Total Flux	28000LM	35000LM
Nominal Optical Efficiency	140 lm/W	140 lm/W
Color Temperature for all 3 models	2700K/3000K/4000K/5000K/6000K	
Color Rendering Index (CRI)	80	
Viewing Angle	120°	

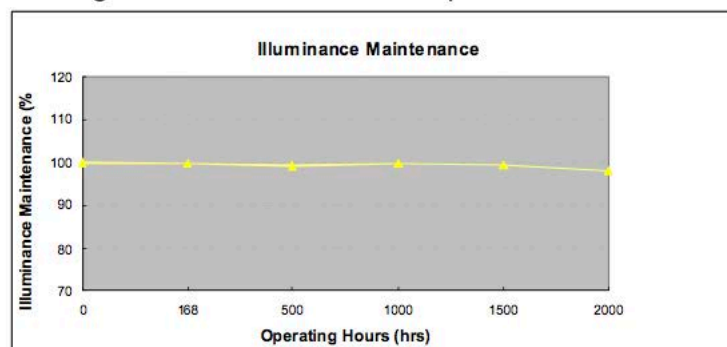
ELECTRICAL CHARACTERISTICS

Input Voltage	90-277VAC / 50-60Hz	
Power Consumption	200W (replacement for 500W)	250W (replacement for 600W)
Power Factor	0,95	0,95
Lighting Source	Lumileds HV 3030	

SHIPMENT DIMENSIONS

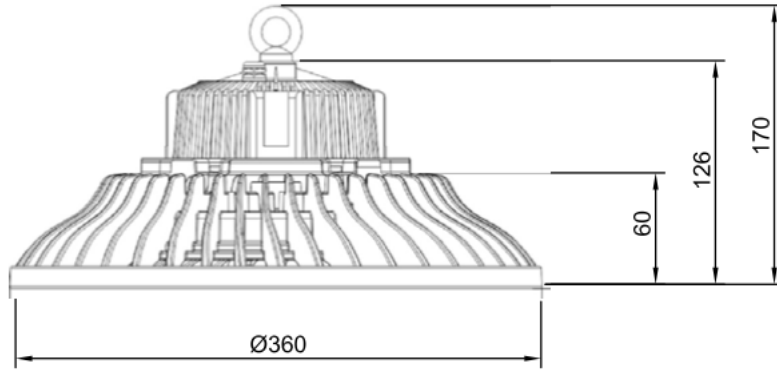
Carton Dimensions (LxWxH in cm)	53 x 41 x 53 cm
Packing Quantity	2 pcs
Weight per carton in Kg	12.8 Kg

Testing condition: None break operation



REZISTA WAREHOUSE SERIES HI FLOOD II

Type: 100W and 150W



Type: 200W and 250W

